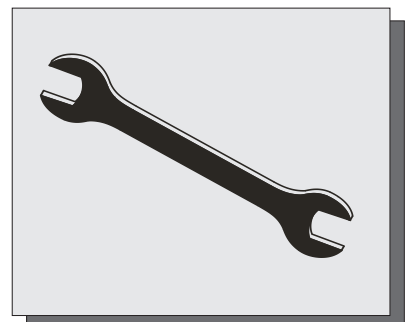


L-121358

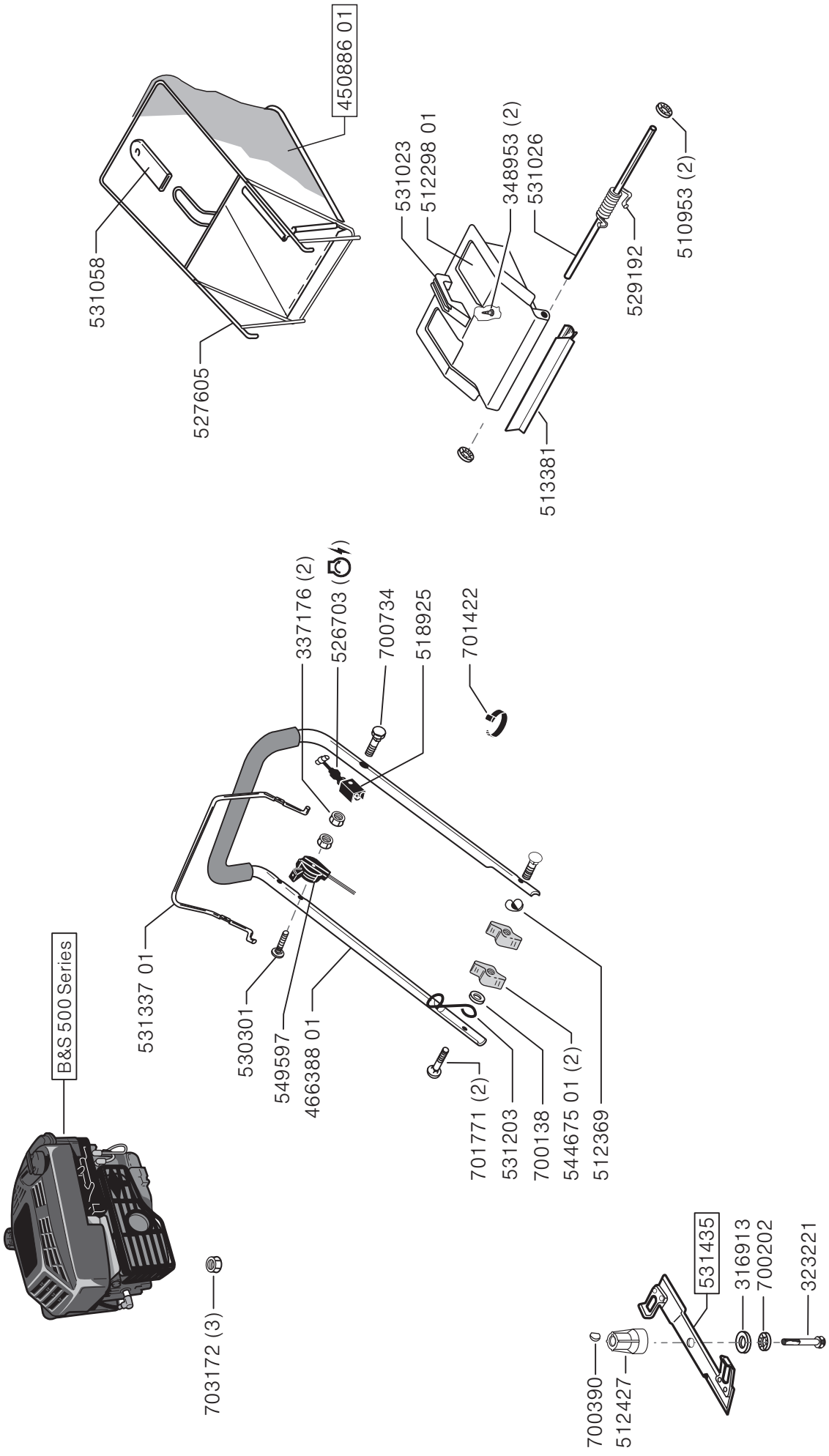
abc def

2010



Mr. Gardener 4042 P2

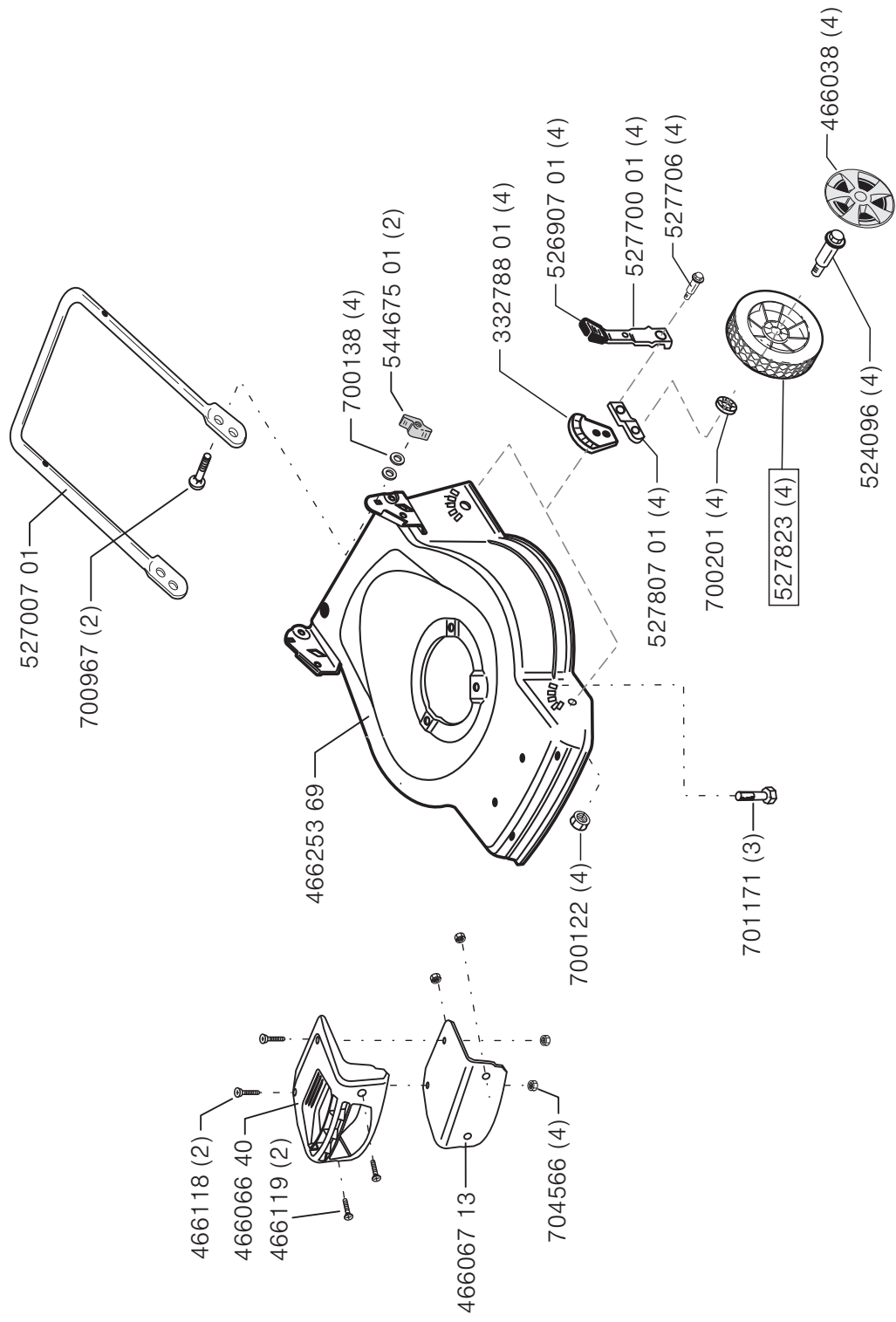
Art. Nr. 121358



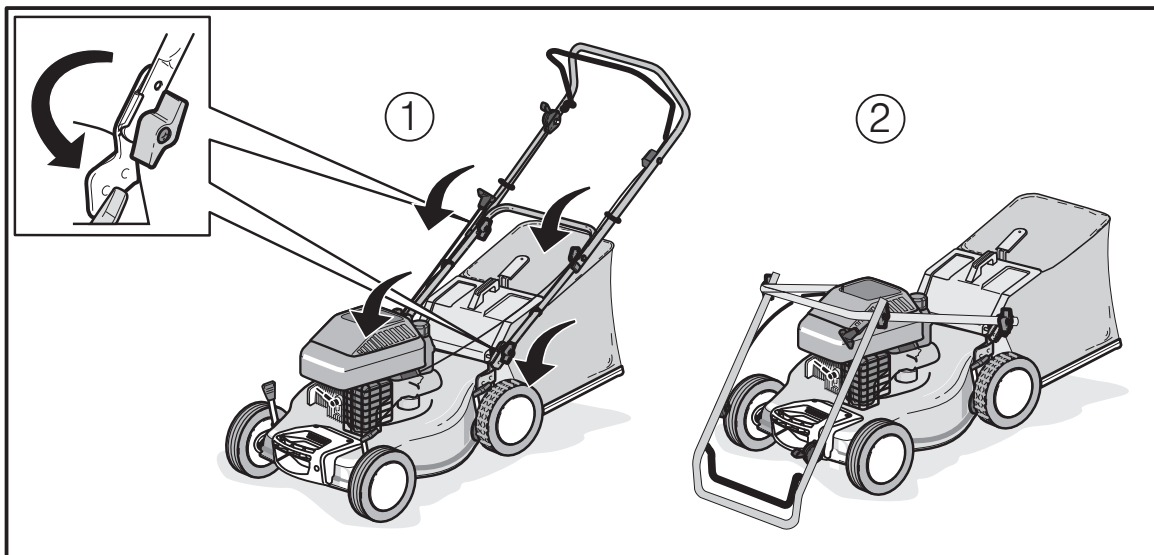
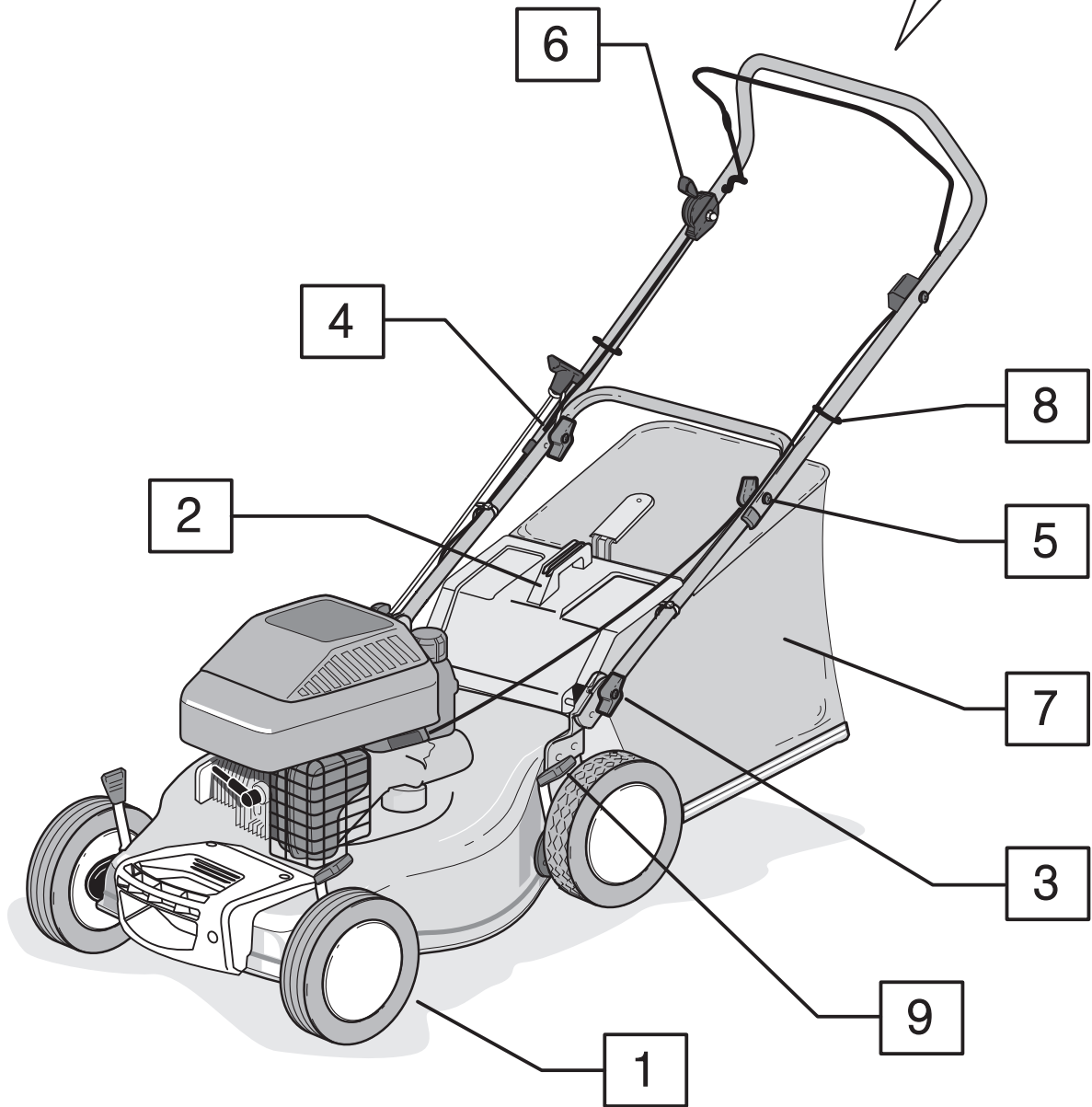
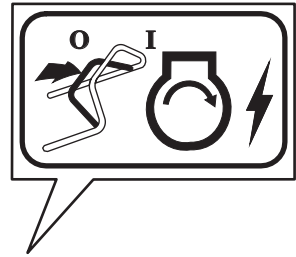
a	b	c	d	e	f
(GS)					
12/09					

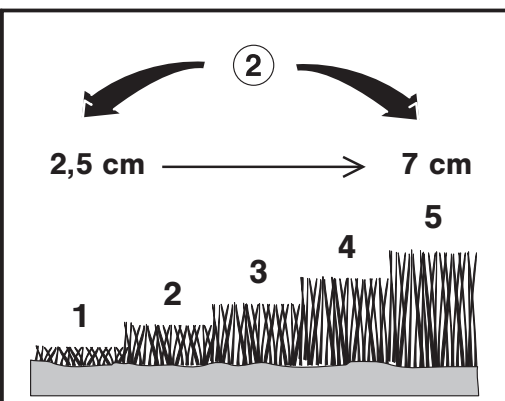
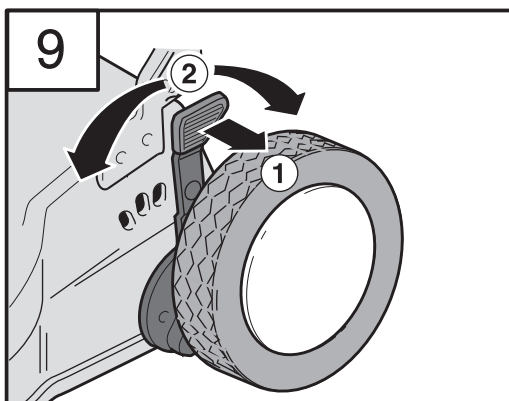
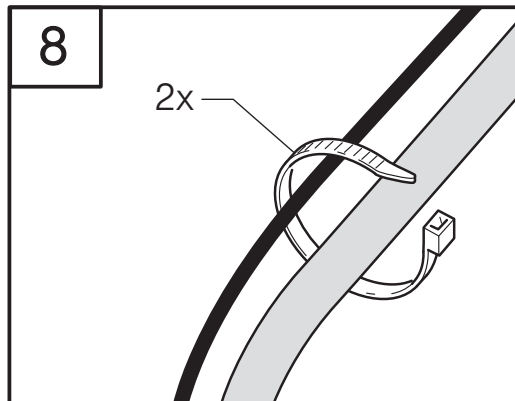
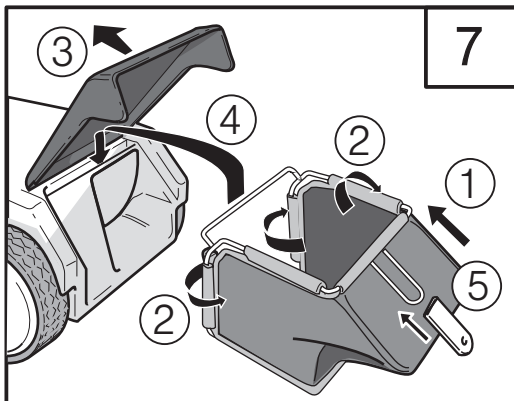
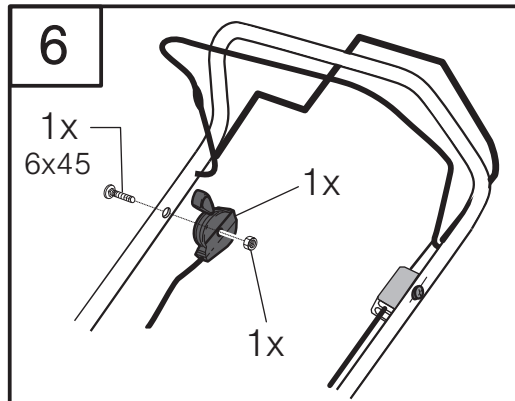
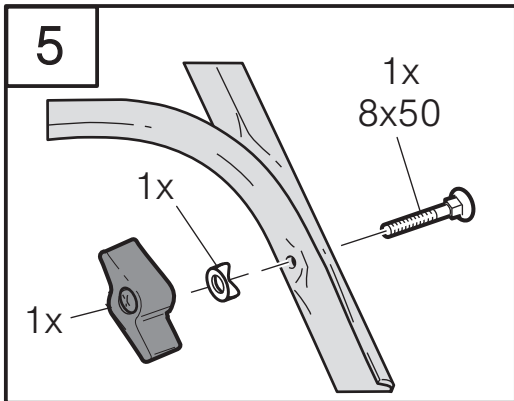
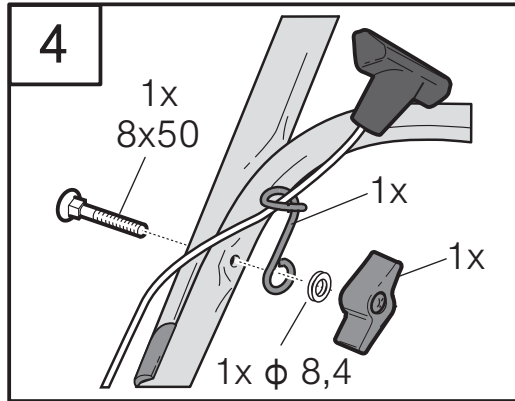
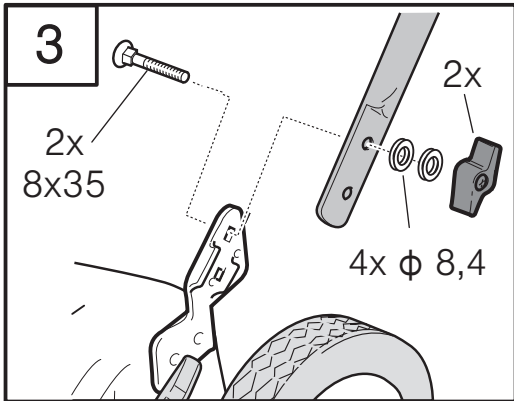
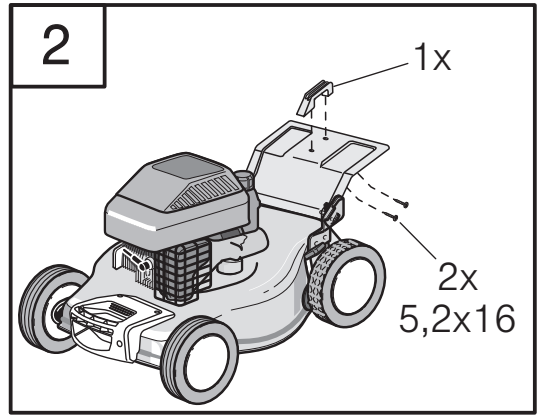
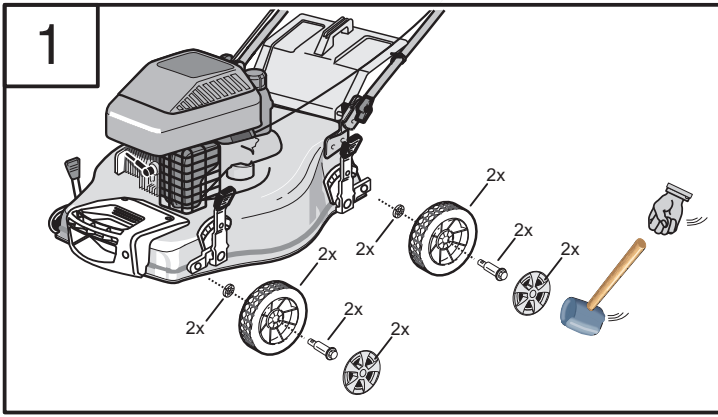
Mr. Gardener 4042 P2

Art. Nr. 121358



a	b	c	d	e	f
12/09					





EG-Konformitätserklärung

D

Hiermit erklären wir, dass dieses Produkt, in der von uns in Verkehr gebrachten Ausführung, den Anforderungen der harmonisierten EG-Richtlinien, EG-Sicherheitsstandards und den produktspezifischen Standards entspricht.

Produkt
Benzin-Rasenmäher

Hersteller
AL-KO Kober Srl
Via Pusteria, 9
I-39030 Vandoies (BZ)

Konformitätsbewertung
2000/14/EG
Anhang VIII

Seriennummer
G 1041041

Divisione Garden + Hobby
Via Como, 71
I-23883 Brivio (LC)

Bevollmächtigter
Anton Eberle
Ichenhauser Str. 14
D-89359 Kötz

Typ
4042 P2 (42 cm)

EG-Richtlinien
98/37/EG (...2009-12-28)
2006/42/EG (2009-12-29...)
2002/88/EG
2004/108/EG
2000/14/EG

Harmonisierte Normen
EN 836:1997-09
EN 836/A1:1998-06
EN 836/A2:2001-10
EN 836/A3:2004-05
EN 836/prA4:2009
ISO 14982

Schalleistungspegel
gemessen / garantiert
94 / 96 dB(A)

Benannte Stelle
TÜV Industrieservice GmbH
TÜV Süd Gruppe
Westendstraße 199
D-80686 München

Brivio, 17.12.2009



Sergio Tomaciello, Managing Director

EC Declaration of conformity

GB

We hereby declare that this product, in the form in which it is marketed, meets the requirements of the harmonised EU guidelines, EU safety standards, and the product-specific standards.

Product
Petrol lawnmower

Manufacturer
AL-KO Kober Srl
Via Pusteria, 9
I-39030 Vandoies (BZ)

Conformity evaluation
2000/14/EG
Appendix VIII

Serial number
G 1041041

Divisione Garden + Hobby
Via Como, 71
I-23883 Brivio (LC)

Executive Officer
Anton Eberle
Ichenhauser Str. 14
D-89359 Kötz

Model
4042 P2 (42 cm)

EU directives
98/37/EG (...2009-12-28)
2006/42/EG (2009-12-29...)
2002/88/EG
2004/108/EG
2000/14/EG

Harmonised standards
EN 836:1997-09
EN 836/A1:1998-06
EN 836/A2:2001-10
EN 836/A3:2004-05
EN 836/prA4:2009
ISO 14982

Sound power level
measured / guaranteed
94 / 96 dB(A)

Notified body
TÜV Industrieservice GmbH
TÜV Süd Gruppe
Westendstraße 199
D-80686 München

Brivio, 17.12.2009



Sergio Tomaciello, Managing Director

EG-conformiteitsverklaring

NL

Hiermee verklaren wij, dat dit product, in de door ons in het verkeer gebrachte uitvoering, voldoet aan de eisen van de geharmoniseerde EU-richtlijnen, EU-veiligheidsnormen en de productspecifieke normen.

Product
Benzinegrasmaaier

Fabrikant
AL-KO Kober Srl
Via Pusteria, 9
I-39030 Vandoies (BZ)

Conformiteitsbeoordeling
2000/14/EG
bijlage VIII

Serienummer
G 1041041

Divisione Garden + Hobby
Via Como, 71
I-23883 Brivio (LC)

Gevolmachtigde
Anton Eberle
Ichenhauser Str. 14
D-89359 Kötz

Type
4042 P2 (42 cm)

EU-richtlijnen
98/37/EG (...2009-12-28)
2006/42/EG (2009-12-29...)
2002/88/EG
2004/108/EG
2000/14/EG

Geharmoniseerde normen
EN 836:1997-09
EN 836/A1:1998-06
EN 836/A2:2001-10
EN 836/A3:2004-05
EN 836/prA4:2009
ISO 14982

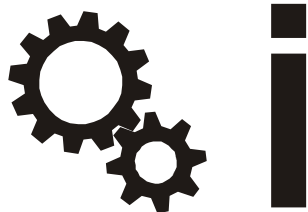
Geluidsniveau
gemeten / gegarandeerd
94 / 96 dB(A)

Aangemelde instantie
TÜV Industrieservice GmbH
TÜV Süd Gruppe
Westendstraße 199
D-80686 München

Brivio, 17.12.2009



Sergio Tomaciello, Managing Director



Country	Company	Telephone	Fax
A	AL-KO Kober Ges.m.b.H.	(+43) 3578/2515227	(+43) 3578/251538
AUS	AL-KO International PTY. LTD	(+61) 3/9767-3700	(+61) 3/9767-3799
B / L	Eurogarden NV	(+32) 16/805427	(+32) 16/805425
BG	Valerii S&M Group SJ	(+359) 2 942 34 02	(+359) 2 942 34 10
CH	AL-KO Kober AG	(+41) 56/4183150	(+41) 56/4183160
CZ	AL-KO Kober Spol.sr.o.	(+420) 382/210381	(+420) 382/212782
D	AL-KO Geräte GmbH	(+49) 8221/203-0	(+49) 8221/203-138
DK	AL-KO Ginge A/S	(+45) 98821000	(+45) 98825454
EST/LT/LV	AL-KO Kober SIA	(+371) 67409330	(+371) 67807018
F	AL-KO S.A.S.	(+33) 3/85-763540	(+33) 3/85-763588
GB	Rochford Garden Machinery Ltd.	(+44) 1963/828050	(+44) 1963/828052
H	AL-KO KFT	(+36) 29/537050	(+36) 29/537051
HR	Brun.ko.-prom d.o.o.	(+385) 1 3096 567	(+385) 1 3096 567
I	AL-KO Kober SRL	(+39) 039/9329311	(+39) 039/9329390
IN	AGRO-COMMERCIAL	(+91) 3322874206	(+91) 3322874139
IQ	Gulistan Com	(+946) 750 450 80 64	
IRL	Cyril Johnston & Co. Ltd.	(+44) 2890813121	(+44) 2890914220
LY	ASHOFAN FOR AGRICULT. ACC.	(+218) 512660209	(+218) 512660209
MA	BADRA Sarl	(+212) 022447128	(+212) 022447130
MK	Techno Geneks	(+389) 2 2551801	(+389) 2 2520175
N	AL-KO GINGE A/S	(+47) 64862550	(+47) 64862554
NL	O.DE LEEUW GROENTECHNIEK	(+31) 38/444 6160	(+31) 38/444 6358
PL	AL-KO Kober z.o.o.	(+48) 61/8161925	(+48) 61/8161980
RO	OMNITECH Technology SRL	(+4) 021 326 36 72	(+4) 021 326 36 79
RUS	OOO AL-KO Kober	(+7) 499/1688718	(+7) 499/96600-00
RUS	AL-KO St. Petersburg GmbH	(+7) 812/4461075	(+7) 812/4461075
S	AL-KO Ginge Svenska AB	(+46) (0) 31573580	(+46) (0) 31575620
SK	AL-KO Kober Slovakia Spol.s.r.o.	(+421) 2/45994112	(+421) 2/45648117
SLO	Darko Opara s.p.	(+386) 1 722 58 50	(+386) 1 722 58 51
SRB	Agromarket d.o.o.	(+381) 34 308 000	(+381) 34 308 16
TR	ZIMAS A.S.	(+90) 232 4580586	(+90) 232 4572697
UA	TOV AL-KO Kober	(+380) 44/4923396	(+380) 44/4923397

AL-KO Geräte GmbH | Head Quarter | Ichenhauser Str. 14 | 89359 Koetz | Deutschland
 Telefon: (+49) 8221/203-0 | Telefax: (+49) 8221/203-138 | www.al-ko.com

